

SpareCruX



LL3-TS11

Fiber-optic cables

FIBER-OPTIC SENSORS

SICK
Sensor Intelligence.



Ordering information

Type	part no.
LL3-TS11	5338673

Included in delivery: FC (1)

Other models and accessories → www.sick.com/Fiber-optic_cables

Detailed technical data

Features

Device type	Fiber-optic cables
Functional principle	Through-beam system, consisting of a sender and a receiver
Fiber-optic head design	Flat type, 90° deflection, Array
Application	Area detection
Compatible fiber-optic amplifiers	GLL70, WLL80, WLL180, GLL170(T), WLL24 Ex
Sensing range max.	Depending on the fiber optic amplifier used
Minimal object diameter	0.45 mm ¹⁾
Optical fiber head	
Angle of dispersion	60°
Integrated lens	No
Compatibility tip adapters	No
Optical fiber	
Compatibility with infrared light	No
Optical fiber cable can be shortened	✓
Adapter end sleeves required	No
Included with delivery	FC fiber cutter (5304141)

¹⁾ Minimum detectable object was determined at optimum measuring distance and optimum setting.

Mechanics

Optical fiber head	
Light emission	Radial
Fiber-optic head array width	100 mm
Optical fiber	
Fiber length	2,000 mm
Bending radius	40 mm
Dynamic flexibility (robotics)	No
Outside diameter, optical fiber cable connection	2.2 mm
Fiber arrangement	Multi-fiber
Core structure	125 x Ø 0,25 mm ¹⁾ Multi-fiber
Material	

¹⁾ 1 x Ø 1,5 mm for connection cable.

Optical fiber head	Zinc alloy
Sheath	Polyethylen (PE)
Fibers	Polymethylmethacrylat (PMMA)
Weight	15 g

¹⁾ 1 x Ø 1,5 mm for connection cable.

Ambient data

Ambient operating temperature	-55 °C ... +70 °C
--------------------------------------	-------------------

Sensing ranges with WLL180T

Operating mode 16 µs	200 mm
Operating mode 70 µs	550 mm
Operating mode 250 µs	1,000 mm
Operating mode 2 ms	2,400 mm
Operating mode 8 ms	3,200 mm
Note	Sensing ranges related to fiber-optic sensors with type of light: visible red light

Sensing ranges with GLL170

Operating mode 250 µs	400 mm
------------------------------	--------

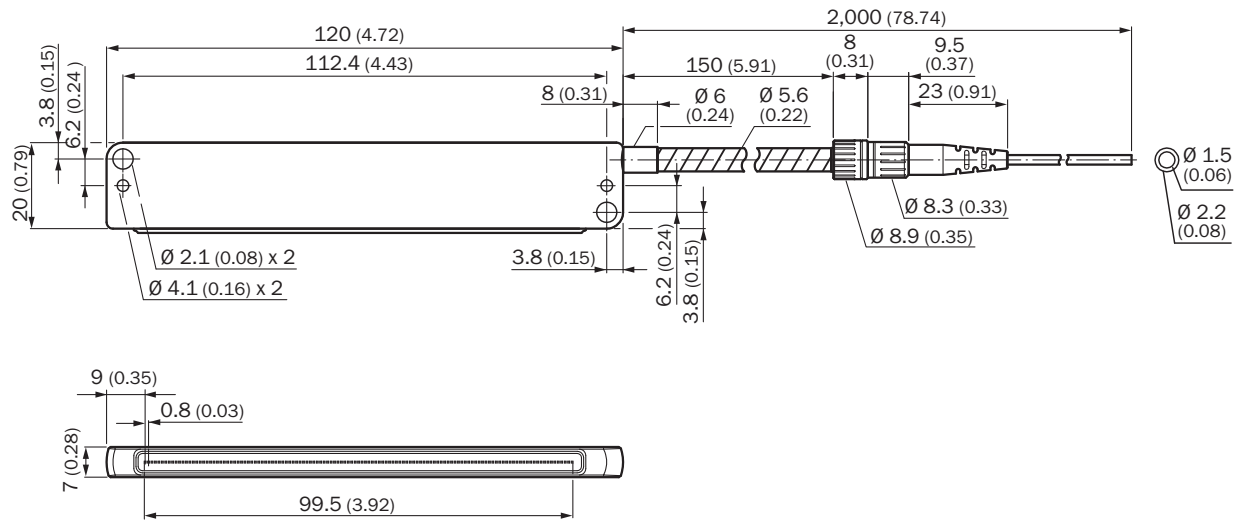
Sensing ranges with GLL170T

Operating mode 50 µs	250 mm
Operating mode 250 µs	420 mm

Classifications

ECLASS 5.0	27270905
ECLASS 5.1.4	27270905
ECLASS 6.0	27270905
ECLASS 6.2	27270905
ECLASS 7.0	27270905
ECLASS 8.0	27270905
ECLASS 8.1	27270905
ECLASS 9.0	27270905
ECLASS 10.0	27270905
ECLASS 11.0	27270905
ECLASS 12.0	27270905
ETIM 5.0	EC002651
ETIM 6.0	EC002651
ETIM 7.0	EC002651
ETIM 8.0	EC002651
UNSPSC 16.0901	39121528

Dimensional drawing



SpareCruX

SICK AT A GLANCE

SICK is one of the leading manufacturers of intelligent sensors and sensor solutions for industrial applications. A unique range of products and services creates the perfect basis for controlling processes securely and efficiently, protecting individuals from accidents and preventing damage to the environment.

We have extensive experience in a wide range of industries and understand their processes and requirements. With intelligent sensors, we can deliver exactly what our customers need. In application centers in Europe, Asia and North America, system solutions are tested and optimized in accordance with customer specifications. All this makes us a reliable supplier and development partner.

Comprehensive services complete our offering: SICK LifeTime Services provide support throughout the machine life cycle and ensure safety and productivity.

For us, that is “Sensor Intelligence.”

WORLDWIDE PRESENCE:

Contacts and other locations – www.sick.com

SpareCruX