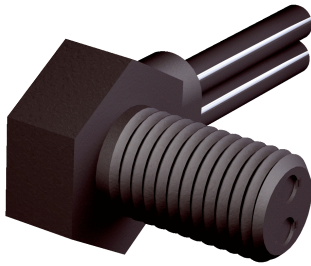


LL3-DV05

Fiber-optic cables

FIBER-OPTIC SENSORS

SICK
Sensor Intelligence.



Ordering information

Type	part no.
LL3-DV05	5322549

Other models and accessories → www.sick.com/Fiber-optic_cables

Detailed technical data

Features

Device type	Fiber-optic cables
Functional principle	Proximity system
Fiber-optic head design	Threaded sleeve, 90° deflection
Application	Standard
Compatible fiber-optic amplifiers	GLL70, WLL80, WLL180, GLL170(T), WLL24 Ex
Sensing range max.	700 mm (Sensing range of WLL80 at 8 ms)
Minimal object diameter	0.015 mm ¹⁾
Optical fiber head	
Angle of dispersion	16°
Integrated lens	Yes
Compatibility tip adapters	No
Optical fiber	
Compatibility with infrared light	No
Optical fiber cable can be shortened	✓
Adapter end sleeves required	No
Included with delivery	Mounting, 1 x M6 hexagon nut, FC fiber cutter (5304141)

¹⁾ Minimum detectable object was determined at optimum measuring distance and optimum setting.

Mechanics

Optical fiber head		
Light emission	Radial	
Thread diameter (housing)	M6	
Optical fiber		
Fiber length	2,000 mm	
Bending radius	25 mm	
Dynamic flexibility (robotics)	No	
Outside diameter, optical fiber cable connection	2.2 mm	
Fiber arrangement	Singlefiber	
Core structure	Singlefiber	
Material		
Optical fiber head	Polyamid (PA)	

	Sheath	Polyethylen (PE)
	Fibers	Polymethylmethacrylat (PMMA)
Weight		29 g

Ambient data

Ambient operating temperature	-40 °C ... +70 °C
--------------------------------------	-------------------

Sensing ranges with GLL70

Operating mode 50 µs	65 mm
Operating mode 250 µs	200 mm
Operating mode 1 ms	285 mm
Operating mode 4 ms	590 mm

Sensing ranges with WLL80

Operating mode 16 µs	40 mm
Operating mode 70 µs	135 mm
Operating mode 250 µs	220 mm
Operating mode 500 µs	270 mm
Operating mode 1 ms	305 mm
Operating mode 2 ms	435 mm
Operating mode 8 ms	700 mm
Note	Sensing ranges related to fiber-optic sensors with type of light: visible red light

Sensing ranges with WLL180T

Operating mode 16 µs	25 mm
Operating mode 70 µs	110 mm
Operating mode 250 µs	185 mm
Operating mode 2 ms	400 mm
Operating mode 8 ms	650 mm
Note	Sensing ranges related to fiber-optic sensors with type of light: visible red light

Sensing ranges with GLL170

Operating mode 250 µs	50 mm
------------------------------	-------

Sensing ranges with GLL170T

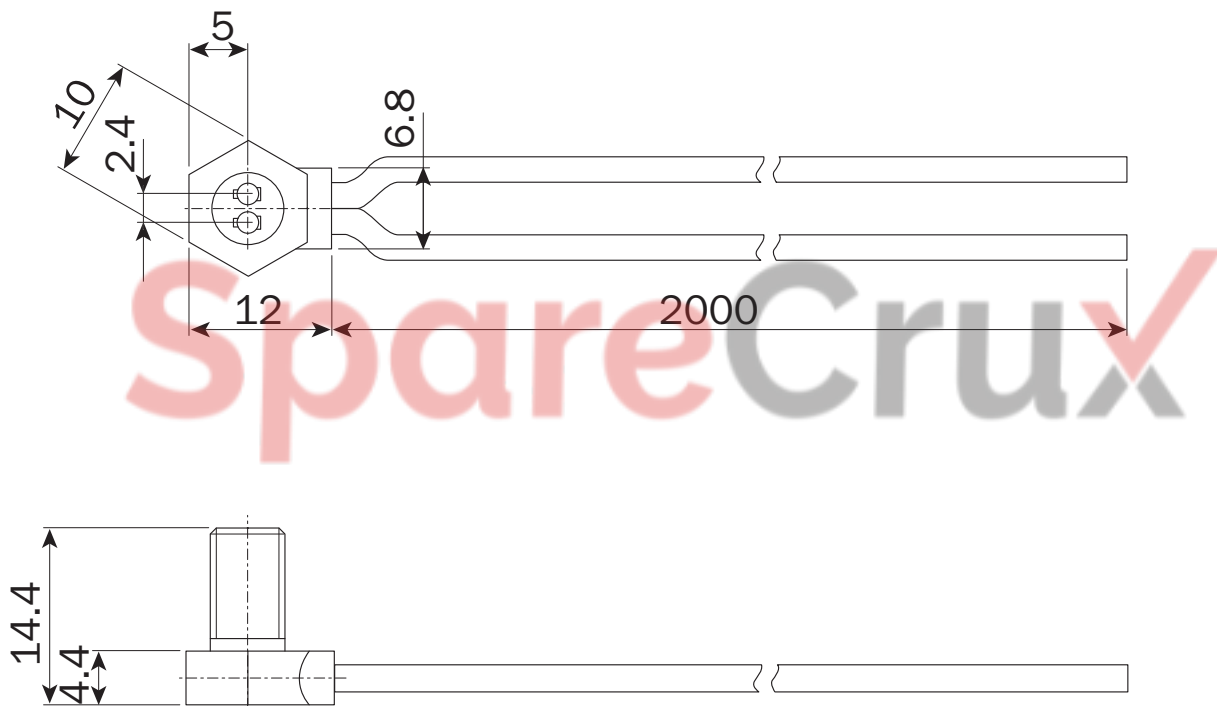
Operating mode 50 µs	60 mm
Operating mode 250 µs	100 mm

Classifications

ECLASS 5.0	27270905
ECLASS 5.1.4	27270905
ECLASS 6.0	27270905
ECLASS 6.2	27270905
ECLASS 7.0	27270905
ECLASS 8.0	27270905
ECLASS 8.1	27270905

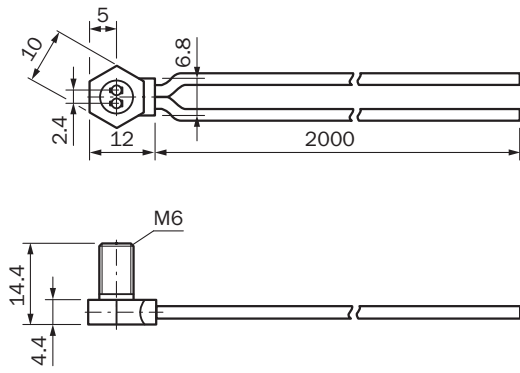
ECLASS 9.0	27270905
ECLASS 10.0	27270905
ECLASS 11.0	27270905
ECLASS 12.0	27270905
ETIM 5.0	EC002651
ETIM 6.0	EC002651
ETIM 7.0	EC002651
ETIM 8.0	EC002651
UNSPSC 16.0901	39121528

Dimensional drawing LL3-DV05, LL3-DV06, LL3-DV07



Dimensions in mm (inch)

Dimensional drawing



Dimensions in mm (inch)

SpareCruX

SICK AT A GLANCE

SICK is one of the leading manufacturers of intelligent sensors and sensor solutions for industrial applications. A unique range of products and services creates the perfect basis for controlling processes securely and efficiently, protecting individuals from accidents and preventing damage to the environment.

We have extensive experience in a wide range of industries and understand their processes and requirements. With intelligent sensors, we can deliver exactly what our customers need. In application centers in Europe, Asia and North America, system solutions are tested and optimized in accordance with customer specifications. All this makes us a reliable supplier and development partner.

Comprehensive services complete our offering: SICK LifeTime Services provide support throughout the machine life cycle and ensure safety and productivity.

For us, that is “Sensor Intelligence.”

WORLDWIDE PRESENCE:

Contacts and other locations – www.sick.com

SpareCruX