



P250H

Reflectors

REFLECTORS AND OPTICS

SICK
Sensor Intelligence.



Ordering information

Type	part no.
P250H	5315124

Other models and accessories → www.sick.com/Reflectors

Detailed technical data

Features

Product segment	Reflectors and optics
Product	Reflectors
Product version	Special reflectors
Description	High-temperature reflector, screw connection
Mounting system type	Screw-on
Material	HOT thermoplast
Ambient operating temperature	-20 °C ... +110 °C
Dimensions (W x H x L)	52 mm x 62 mm

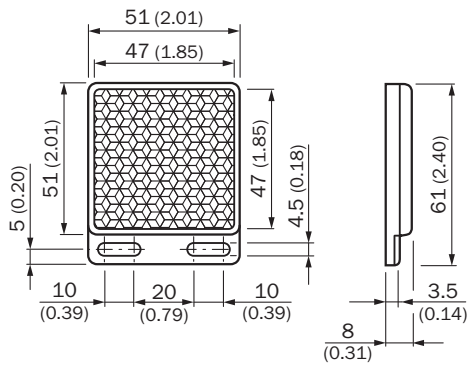
Certificates

RoHS manufacturer declaration	✓
--------------------------------------	---

Classifications

ECLASS 5.0	27279203
ECLASS 5.1.4	27279203
ECLASS 6.0	27279203
ECLASS 6.2	27279203
ECLASS 7.0	27279203
ECLASS 8.0	27279203
ECLASS 8.1	27279203
ECLASS 9.0	27273601
ECLASS 10.0	27273601
ECLASS 11.0	27273601
ECLASS 12.0	27273601
ETIM 5.0	EC002467
ETIM 6.0	EC002467
ETIM 7.0	EC002467
ETIM 8.0	EC002467
UNSPSC 16.0901	39111827

Dimensional drawing



Dimensions in mm (inch)

SpareCruX

SICK AT A GLANCE

SICK is one of the leading manufacturers of intelligent sensors and sensor solutions for industrial applications. A unique range of products and services creates the perfect basis for controlling processes securely and efficiently, protecting individuals from accidents and preventing damage to the environment.

We have extensive experience in a wide range of industries and understand their processes and requirements. With intelligent sensors, we can deliver exactly what our customers need. In application centers in Europe, Asia and North America, system solutions are tested and optimized in accordance with customer specifications. All this makes us a reliable supplier and development partner.

Comprehensive services complete our offering: SICK LifeTime Services provide support throughout the machine life cycle and ensure safety and productivity.

For us, that is “Sensor Intelligence.”

WORLDWIDE PRESENCE:

Contacts and other locations – www.sick.com

SpareCruX