



# BEF-MWS120-S01

Measuring wheel mechanics

MEASURING WHEELS AND MEASURING WHEEL MECHANICS

**SICK**  
Sensor Intelligence.



### Ordering information

| Type           | part no. |
|----------------|----------|
| BEF-MWS120-S01 | 2119373  |

Other models and accessories → [www.sick.com/Measuring\\_wheel\\_mechanics](http://www.sick.com/Measuring_wheel_mechanics)

### Detailed technical data

#### Features

|                        |   |
|------------------------|---|
| <b>Product segment</b> | Measuring wheels and measuring wheel mechanics  |
| <b>Product</b>         | Measuring wheel mechanics   |
| <b>Description</b>     | Spring arm for linear measurement with contact, spring contact pressure manually adjustable without tools in 6 increments of 4 N from 0 ... 24 N, can be combined with separately available encoders and measuring wheels.      |
| <b>Specialty</b>       | Assembled mounting rod, MWS120-ARM without adapter plate  |
| <b>Suitable for</b>    | MWS120, direct mounting Ø 60 mm face mount flange encoder with mechanical shaft design "S4" = Ø 10 mm, DBS60, DFS60, AFS60 AFM60. Ø 36 mm encoders such as AHS/AHM36 can be mounted with an adapter flange (part no.: 2072298). |
| <b>Items supplied</b>  | Spring arm, M6 serrated lock washer, M6 counter nut, Positioning disc, Measuring wheel with O-ring surface, Adapter flange, Mounting bracket (optional, art. no. 2084709), rod, longer screw for mounting on the rod            |

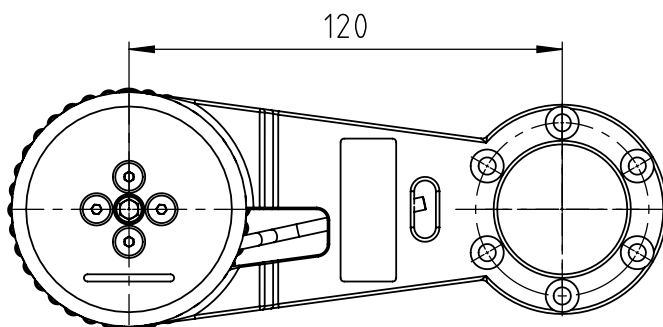
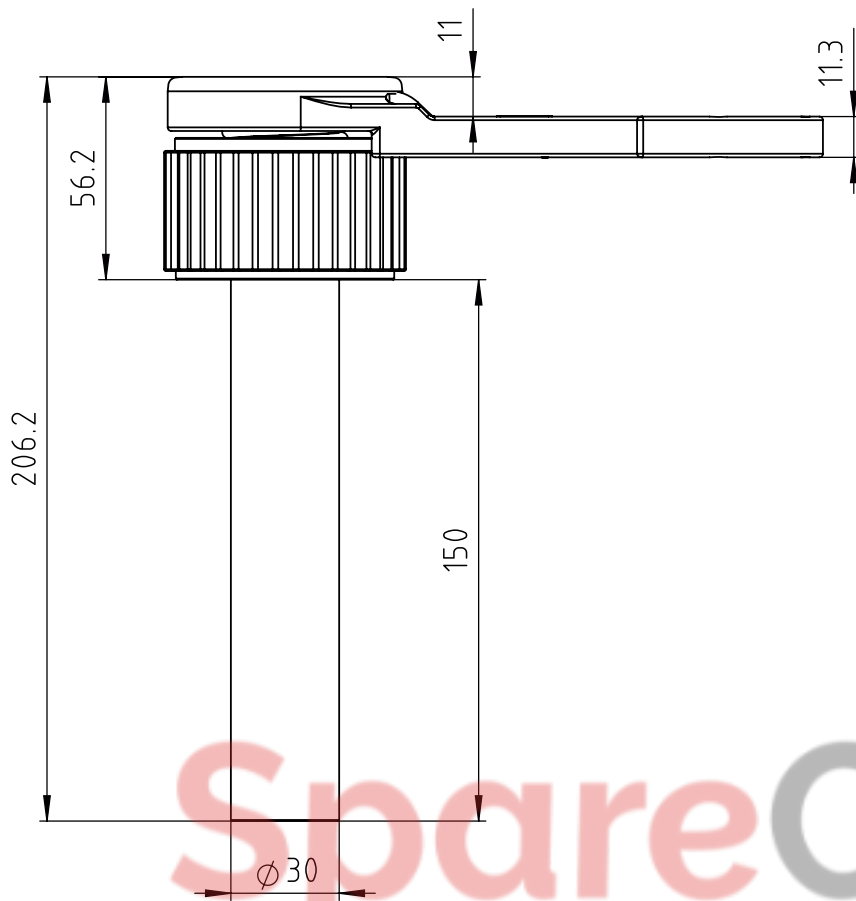
#### Classifications

|                       |          |
|-----------------------|----------|
| <b>ECLASS 5.0</b>     | 21160104 |
| <b>ECLASS 5.1.4</b>   | 21160104 |
| <b>ECLASS 6.0</b>     | 21160104 |
| <b>ECLASS 6.2</b>     | 21160104 |
| <b>ECLASS 7.0</b>     | 21160104 |
| <b>ECLASS 8.0</b>     | 21160104 |
| <b>ECLASS 8.1</b>     | 21160104 |
| <b>ECLASS 9.0</b>     | 21160104 |
| <b>ECLASS 10.0</b>    | 21160104 |
| <b>ECLASS 11.0</b>    | 21160104 |
| <b>ECLASS 12.0</b>    | 21160104 |
| <b>ETIM 5.0</b>       | EC002179 |
| <b>ETIM 6.0</b>       | EC002179 |
| <b>ETIM 7.0</b>       | EC002179 |
| <b>ETIM 8.0</b>       | EC002179 |
| <b>UNSPSC 16.0901</b> | 25191839 |

#### Certificates

|                   |   |
|-------------------|---|
| <b>China RoHS</b> | ✓ |
|-------------------|---|

Dimensional drawing



Dimensions in mm (inch)

## SICK AT A GLANCE

SICK is one of the leading manufacturers of intelligent sensors and sensor solutions for industrial applications. A unique range of products and services creates the perfect basis for controlling processes securely and efficiently, protecting individuals from accidents and preventing damage to the environment.

We have extensive experience in a wide range of industries and understand their processes and requirements. With intelligent sensors, we can deliver exactly what our customers need. In application centers in Europe, Asia and North America, system solutions are tested and optimized in accordance with customer specifications. All this makes us a reliable supplier and development partner.

Comprehensive services complete our offering: SICK LifeTime Services provide support throughout the machine life cycle and ensure safety and productivity.

For us, that is “Sensor Intelligence.”

### WORLDWIDE PRESENCE:

Contacts and other locations – [www.sick.com](http://www.sick.com)

SpareCruX