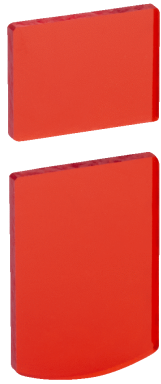


LPC-WTT12L

Front screens and front screen protection

DEVICE PROTECTION AND CARE

SICK
Sensor Intelligence.



Ordering information

Type	part no.
LPC-WTT12L	2091939

Other models and accessories → www.sick.com/Front_screens_and_front_screen_protection

Detailed technical data

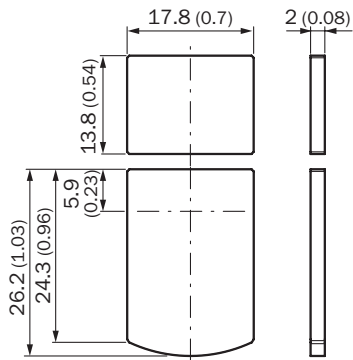
Features

Product segment	Device protection and care
Product	Front screens and front screen protection
Description	Replaceable exchange plastic screen for lens protection cover WTT12L. Protects sensor from damage by flying sparks and welding beads.

Classifications

ECLASS 5.0	27279204
ECLASS 5.1.4	27279204
ECLASS 6.0	27279204
ECLASS 6.2	27279204
ECLASS 7.0	27279204
ECLASS 8.0	27279204
ECLASS 8.1	27279204
ECLASS 9.0	27273602
ECLASS 10.0	27273602
ECLASS 11.0	27273602
ECLASS 12.0	27273602
ETIM 5.0	EC002024
ETIM 6.0	EC002024
ETIM 7.0	EC002024
ETIM 8.0	EC002024
UNSPSC 16.0901	45111603

Dimensional drawing



Dimensions in mm (inch)



SICK AT A GLANCE

SICK is one of the leading manufacturers of intelligent sensors and sensor solutions for industrial applications. A unique range of products and services creates the perfect basis for controlling processes securely and efficiently, protecting individuals from accidents and preventing damage to the environment.

We have extensive experience in a wide range of industries and understand their processes and requirements. With intelligent sensors, we can deliver exactly what our customers need. In application centers in Europe, Asia and North America, system solutions are tested and optimized in accordance with customer specifications. All this makes us a reliable supplier and development partner.

Comprehensive services complete our offering: SICK LifeTime Services provide support throughout the machine life cycle and ensure safety and productivity.

For us, that is “Sensor Intelligence.”

WORLDWIDE PRESENCE:

Contacts and other locations – www.sick.com

SpareCruX